

167292-1 ✓ ACTIVE

AMPLIMITE

TE Internal #: 167292-1

Crimp D-Sub Connectors, Plug, Cable-to-Cable, 9 Position, Size 20, Size 1, Mating Retention, Shielded, .108 in [2.74 mm] Centerline, Wire & Cable

[View on TE.com >](#)



Connectors > D-Shaped Connectors > D-Sub Connectors > Crimp D-Sub Connectors > D-Sub Crimp: Plug, Signal, 9 Posn, Pin Size 20, Shell Size 1



Connector & Housing Type: **Plug**

Connector System: **Cable-to-Cable**

Number of Positions: **9**

D-Sub Contact Size: **20**

D-Sub Shell Size: **1**

[All D-Sub Crimp: Plug, Signal, 9 Posn, Pin Size 20, Shell Size 1 \(13\)](#)

### Features

#### Product Type Features

Grade	Standard
Grounding Indents	With
Product Type	Connector
Shell Type	Full Metal Shell
Connector & Housing Type	Plug
Connector System	Cable-to-Cable
D-Sub Shell Size	1
Sealable	No
Connector & Contact Terminates To	Wire & Cable

#### Configuration Features

Number of Positions	9
---------------------	---

#### Body Features

--	--



Shell Material	Steel
Shell Plating Material	Tin
Insert Material	Glass-Filled Nylon

#### Contact Features

D-Sub Contact Size	20
--------------------	----

#### Mechanical Attachment

Mating Retention	With
Mating Retention Type	Mounting Holes

#### Housing Features

Housing Material	Thermoplastic
Housing Color	Black
Centerline (Pitch)	2.74 mm [.108 in]

#### Dimensions

Cable Insulation Diameter Range	1.73 mm
---------------------------------	---------

#### Usage Conditions

Operating Temperature Range	-55 – 105 °C [-67 – 221 °F]
-----------------------------	-----------------------------

#### Operation/Application

For Use With	Pin Contacts
Shielded	Yes
Circuit Application	Signal

#### Industry Standards

UL Flammability Rating	UL 94V-0
------------------------	----------

#### Packaging Features

Packaging Method	Box
Packaging Quantity	50

#### Product Compliance

[For compliance documentation, visit the product page on TE.com>](#)

EU RoHS Directive 2011/65/EU	Compliant
EU ELV Directive 2000/53/EC	Compliant
China RoHS 2 Directive MIIT Order No 32, 2016	No Restricted Materials Above Threshold
EU REACH Regulation (EC) No. 1907/2006	



Current ECHA Candidate List: JUNE 2022 (224)  
 Candidate List Declared Against: JUNE 2022 (224)  
 Does not contain REACH SVHC

Halogen Content Not Low Halogen - contains Br or Cl > 900 ppm.

Solder Process Capability Not applicable for solder process capability

Product Compliance Disclaimer

This information is provided based on reasonable inquiry of our suppliers and represents our current actual knowledge based on the information they provided. This information is subject to change. The part numbers that TE has identified as EU RoHS compliant have a maximum concentration of 0.1% by weight in homogenous materials for lead, hexavalent chromium, mercury, PBB, PBDE, DBP, BBP, DEHP, DIBP, and 0.01% for cadmium, or qualify for an exemption to these limits as defined in the Annexes of Directive 2011/65/EU (RoHS2). Finished electrical and electronic equipment products will be CE marked as required by Directive 2011/65/EU. Components may not be CE marked. Additionally, the part numbers that TE has identified as EU ELV compliant have a maximum concentration of 0.1% by weight in homogenous materials for lead, hexavalent chromium, and mercury, and 0.01% for cadmium, or qualify for an exemption to these limits as defined in the Annexes of Directive 2000/53/EC (ELV). Regarding the REACH Regulation, the information TE provides on SVHC in articles for this part number is based on the latest European Chemicals Agency (ECHA) 'Guidance on requirements for substances in articles' posted at this URL: <https://echa.europa.eu/guidance-documents/guidance-on-reach>

## Compatible Parts



TE Part # CAT-035-DCRSS201  
 D-Sub Crimp Recept Signal 9 Posn, Socket Size 20, Shell Size 1



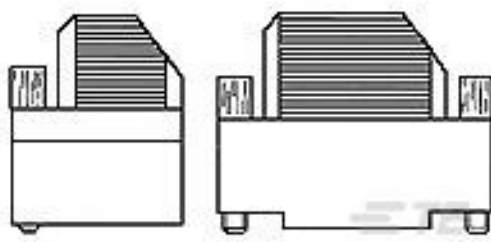
TE Part # 1579007-9  
 EXTRACTION TOOL



TE Part # 2198617-9  
 Ni Plated Plastic Backshell, 9 Way, Str



TE Part # 3-1393483-8  
 V42254A1115B209=SUB D FEDERLEI



TE Part # 1393738-2  
 V42254A6000G115=SUB D GEHAEUSE

## Documents

**Product Drawings**  
 09P.HDP20 PLUG ASSY

English

**CAD Files**

**Customer View Model**[ENG\\_CVM\\_167292-1\\_M.3d\\_igs.zip](#)

English

**Customer View Model**[ENG\\_CVM\\_167292-1\\_M.3d\\_stp.zip](#)

English

**Customer View Model**[ENG\\_CVM\\_167292-1\\_M.2d\\_dxf.zip](#)

English

[3D PDF](#)

3D

[3D PDF](#)

3D

**Customer View Model**[ENG\\_CVM\\_CVM\\_167292-1\\_N.2d\\_dxf.zip](#)

English

**Customer View Model**[ENG\\_CVM\\_CVM\\_167292-1\\_N.3d\\_igs.zip](#)

English

**Customer View Model**[ENG\\_CVM\\_CVM\\_167292-1\\_N.3d\\_stp.zip](#)

English

By downloading the CAD file I accept and agree to the [Terms and Conditions](#) of use.

**Datasheets & Catalog Pages**[AMPLIMITE Subminiature D Connectors - Subminiature D Connectors for Cable Mounting](#)

English

**Product Specifications**[Ocena wizualna zlaczy HD20 WTW](#)[Workmanship Specification](#)**Product Environmental Compliance**[MD\\_167292-1\\_04192018459\\_dmtec](#)

English

[MD\\_167292-1\\_04192018459\\_dmtec](#)

English